

The most popular gas fired small pool and spa heater available in the UK.

## FEATURES

- Ideal for above ground pools and spas
- Fully CE approved by British Gas in the UK
- Electronic Ignition
- Strong, weatherproof, powder coated casing suitable for indoor or outdoor installation
- High operational efficiency
- Natural gas and LP models available
- 44,000 BTU input (larger sizes also available)
- Supplied with pre-wired 13 amp plug and lead
- Suitable for Natural or LP gas

# Certikin

## SWIMMING POOL/SPA GAS HEATERS

• MB055 •



*Certikin's swimming pool and spa gas heater is the result of many years of designing, engineering and manufacturing all types of residential and commercial pool, space, and hot water heaters.*

*It's simply the best you can buy.*



Manufactured  
in the UK

## SWIMMING POOL & SPA GAS HEATERS

### EconTherm Heat Exchanger

The heater is equipped with a unique all-copper finned tube heat exchanger, designed for efficient heat transfer. The header casting is made of cast iron, durable and corrosion resistant.

**Please note: Copper finned heat exchangers are not suitable for use with salt water.**

### UniTherm Flow System

The heater is equipped with the advanced Unitherm Plus Full Flow system which controls both water temperature and flow rate inside the heater. However if required for use with pools a bypass should be used to control water flow.

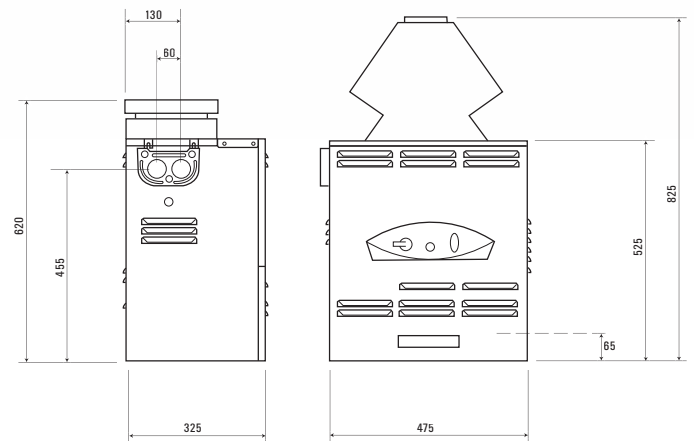
### Longer lasting tough exterior

The exterior polyester coating is a non-polluting synthetic material that's applied electrostatically in powder form, then melted and fused into a smooth, hard coating in baking ovens. That means no cracking, scratching, peeling or fading. You can count on a long-lasting, lustrous protective finish that lasts years longer than ordinary painted or baked enamel finishes.

### Cost and energy efficient

The MB 055 heater from Certikin does not require heat sinks because the alumina silica combustion chamber does not retain heat when the heater shuts off. Energy smart Certikin heaters consistently achieve high efficiency ratings.

With many years of experience in designing, engineering, and manufacturing all types of residential and commercial pool, space, and hot water heaters, Certikin's swimming pool gas heaters are simply the best.



All dimensions are in millimetres

### SPECIFICATIONS & DIMENSIONS

MODEL	BTU INPUT	FLUE DIAMETER	WATER CONNECTIONS
MB055N/P	44,000 13kW	4" 100 mm	1.5" 38 mm

If you should require further technical information please do not hesitate to contact us.