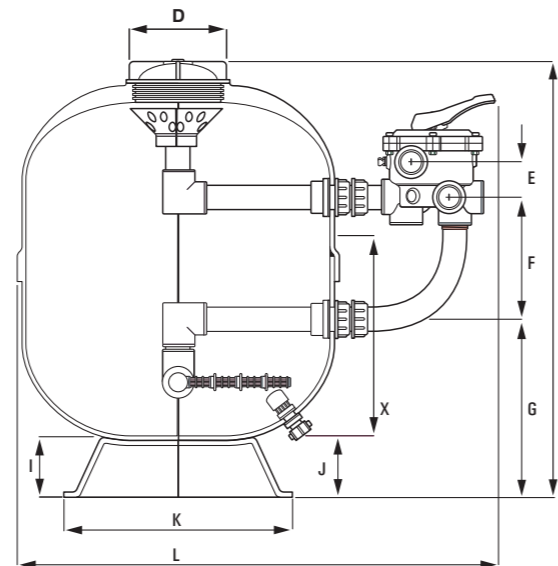
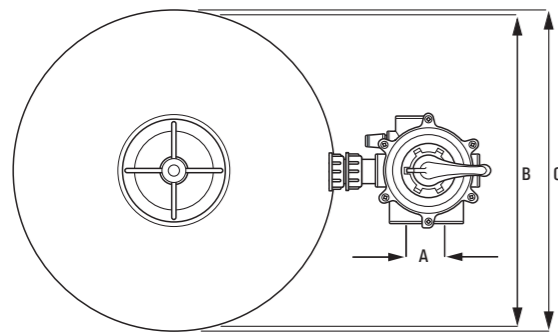


SPECIFICATIONS

Filter Pump - Selection Guide - Residential & Light Commercial

Type	Diameter Ø - mm	Media		Option		Pipe / Connection		Pump HP		Pump kW		Output m ³ /hr	
		area m ²	gravel	16/30 sand	Zeoclere	inch	mm	min	max	min	max	min	max
CL16	450	0.135	NR	50kg	40kg	1.5	50	1/3	1/2	0.24	0.37	4.0	6.5
CL18	460	0.166	NR	75kg	60kg	1.5	50	1/2	3/4	0.37	0.55	6.5	8.5
CL24	610	0.300	NR	125kg	100kg	1.5	50	3/4	1.0	0.55	0.75	10.5	14.5
CL30	760	0.460	50kg	150kg	125kg	2	63	1 1/2	2.0	1.10	1.50	18.5	22.5
CL36	900	0.66	75kg	300kg	225kg	3	90	2.0	3.0	1.5	2.2	27.0	31.0
CL42	1100	0.97	100kg	450kg	350kg	3	90	3.0	4.0	2.2	3.0	38.0	43.0
CL48	1200	1.13	175kg	675kg	525kg	3	90	4.0	5.5	3.0	4.12	50.0	56.0

DIMENSIONS



Type	A	B	C	D	E	F	G	H	I	J	K	L	X
CL16	73	450	465	230	61	127	240	575	65	70	360	725	300
CL18	73	460	475	230	61	204	245	685	65	70	360	790	350
CL24	73	610	625	230	61	204	250	760	65	70	490	945	380
CL30	70	762	780	230	81	215	315	780	85	90	560	1100	400
CL36	128	915	945	230	110	300	300	945	90	90	945	1385	500
CL42	128	1100	1130	230	110	350	350	965	95	90	965	1570	550
CL48	128	1200	1240	430	110	550	360	1315	100	90	1200	1660	700

If you should require further technical information please do not hesitate to contact us.



Certikin



*"the only thing
that's different is
the colour"*

Certikin

**LACRON
FILTERS**

FEATURES

- 30 year proven track record
- Pressure tested to 60 psi (4 bar)
- Manufactured from the highest-grade materials
- Hi gloss - non-corrosive - FRP tank and base components
- Nine-Inch - Clear view - easy access - service lid
- Energy efficient collection and distribution pipe-work
- Speed style installation and service connections
- Easy access winter drain tap



Crystal clear, sparkling water is the most important feature of any swimming pool. A filter is by far the most efficient way to ensure perfect water quality for many years to come. Certikin filters can be used with standard Certikin 16/30-grade silica sand.

The Certikin Lacron range is designed to cater for all residential applications from small above ground pools, through to larger in ground domestic installations.